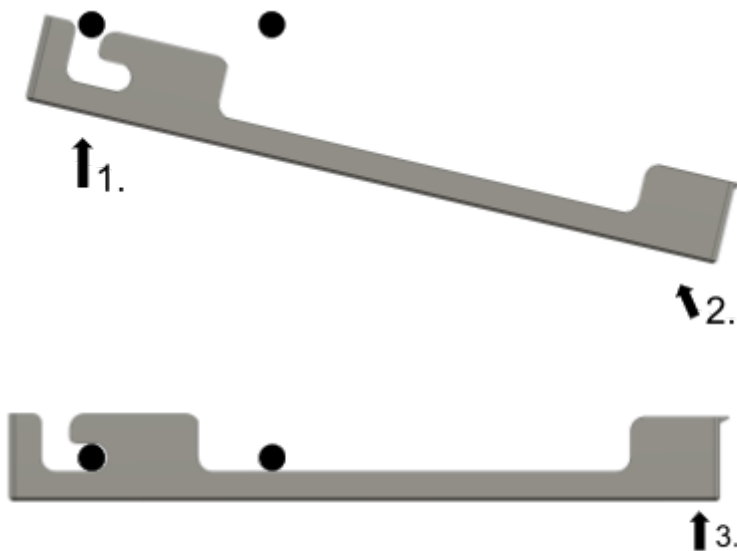


# Instructions for installing cooling for the Solax X3 G4 inverter

Thank you for purchasing our product.

## 1. Installing the cooler on the inverter

Face the inverter and orient the cooler with the DC12V connector on the right, down towards the ground. On the left, there is a recess on the cooler, which needs to be placed on the left of the two protrusions on the back of the inverter. It is best to put the cooler between the cables under the inverter and tilt it so that it is roughly at an angle of 45° and slowly find the place where the protrusion fits into the groove, then slide the cooler slightly to the left while straightening it. The cooler should be flush with the underside of the inverter and protrude by approximately 2mm.



## 2, Fastening the cooler

After seating the cooler in place and pushing it all the way to the left, hold the cooler by pushing up on the DC 12V connector. First on the right side, turn the locking wheel until the cooler is firmly held by the pressure from the wall against the inverter. Then repeat the procedure on the left and, if necessary, finally tighten on both sides. Tightening with your fingers or a fingernail should be enough, if necessary use a flat screwdriver with sensitivity, inserting between the teeth of the wheel gives better leverage when turning.



### 3, AUTOMATIC variant

Place the temperature sensor on the marked location in the photo below. Use attached stickers with SOLAX CHLAZENÍ writing and temperature probe icon. If you have issues with temperature sensor reaching this spot, make sure you trace it the right way behind the radiator.



### 4, Connection and commissioning

The cooler is equipped with a DC 12V 5.5x2.1mm (female) connector, it can be powered, for example, by a 12V 1A power source, which is usually available in various routers, etc., but it can also be powered by any 12V power source from the switchboard, so we leave the power supply solution to the customers and therefore do not supply any source for the cooler.

If necessary, you can purchase a suitable power supply on our e-shop.

If you encounter any problem, contact us by email [kontakt@onecrown.cz](mailto:kontakt@onecrown.cz)